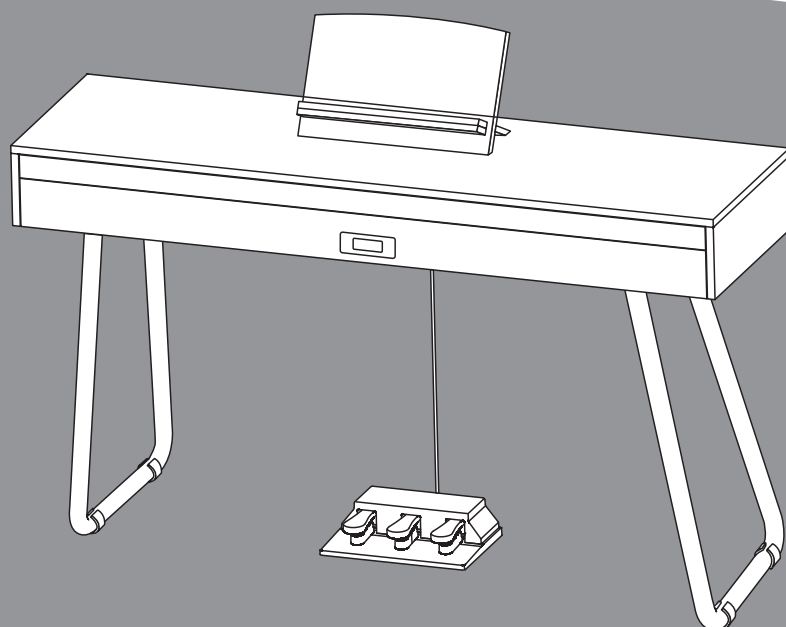




SONORA



SDP-2

DIGITAL PIANO
USER MANUAL



INTRODUCTION

Thank you for buying a Sonora Digital Piano!

We appreciate that you have chosen our product, and we are thrilled to have you as part of our musical community. Our team has put great effort into crafting an instrument that combines quality, innovation, and a passion for music.

To fully utilize the functions of this digital piano, we highly recommend that you read this user manual.

We wish you endless creativity and joy with your new digital piano!



www.sonorapiano.com



CONTENTS

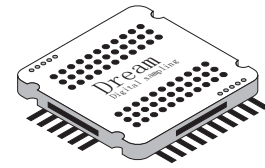
Product overview	page 3
Installation	page 4
I/O Overview	page 5
Product Maintenance	page 6
Safety Precautions	page 7
Specifications	page 9



PRODUCT OVERVIEW

- **FRENCH DREAM SOUND SOURCE**

Its core adopts the new generation of French dream sound source and digital sampling to bring you a realistic auditory experience.

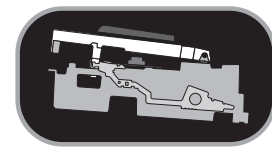


- **DUAL HEADPHONE JACKS**

External dual headphone jacks can facilitate playing without affecting others.

- **88 PROGRESSIVE HEAVY HAMMER-ACTION KEYS**

88 key progressive heavy hammer-action keyboard gives you a real touch like playing on a grand piano.



- **30 MINUTES AUTOMATIC POWER-OFF FUNCTION**

When the digital piano is turned on, it will automatically shut down after 30 minutes without operation.

- **INSTRUMENT PARAMETERS**

Keys: 88 keys	Pitch: ≤3 cents
Register: A0 ~ C8	Output power: 4Ω / 6W ×2
Style: Desktop Piano	Power supply: AC 100~240V 50Hz

- **BLUETOOTH MIDI AND BLUETOOTH AUDIO**

Bluetooth Code: 8888

- **TRIPLE PEDAL**

Triple pedal system that allows you to fully experience the feeling of playing the piano



INSTALLATION

PLEASE NOTE!

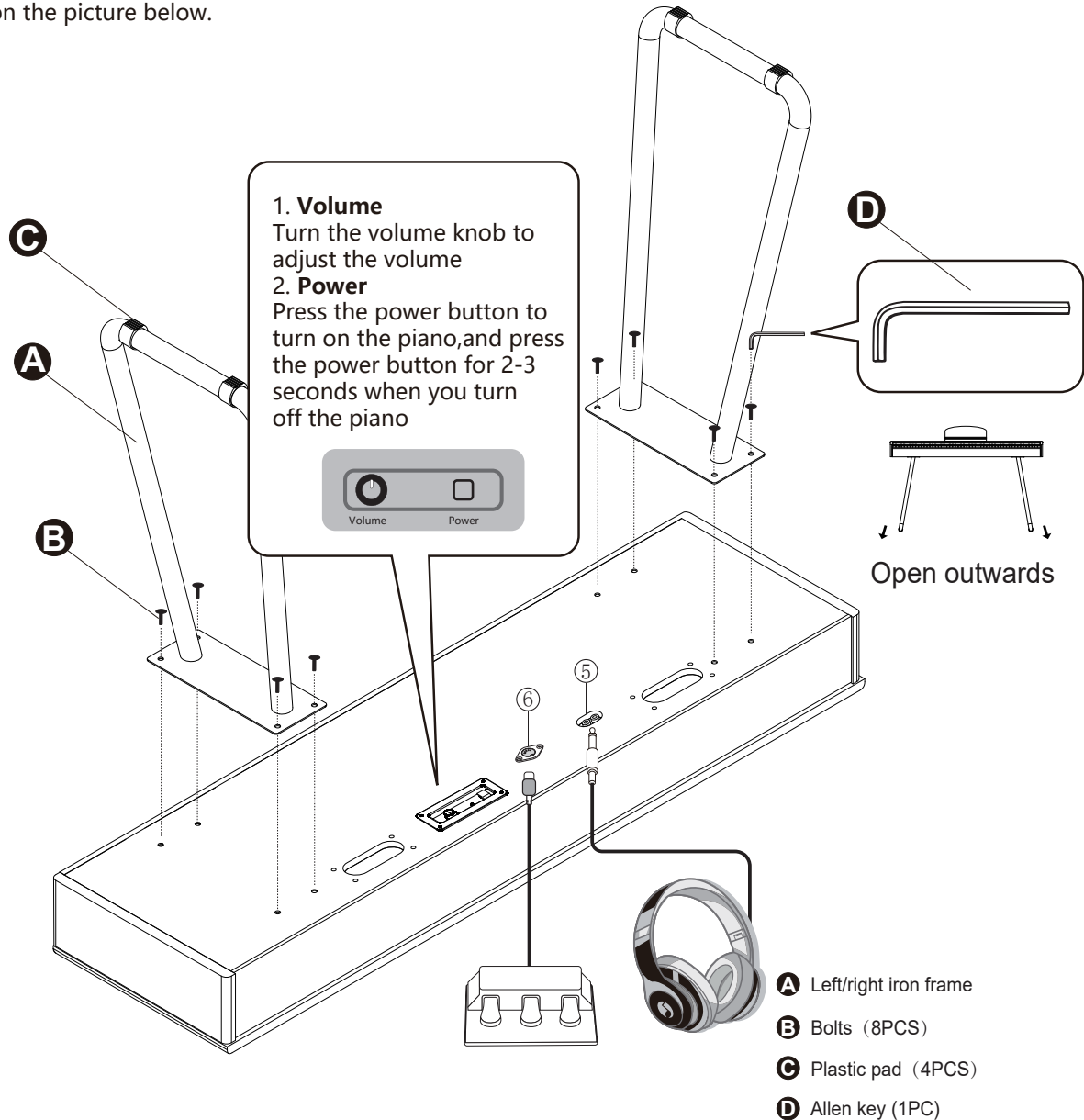
- This product should be installed by an adult. Do not allow minors to install it without supervision.

CHECKING THE ATTACHED ITEMS:

- After opening the package, please immediately check whether it contains all the items. If any item is missing, please contact us.

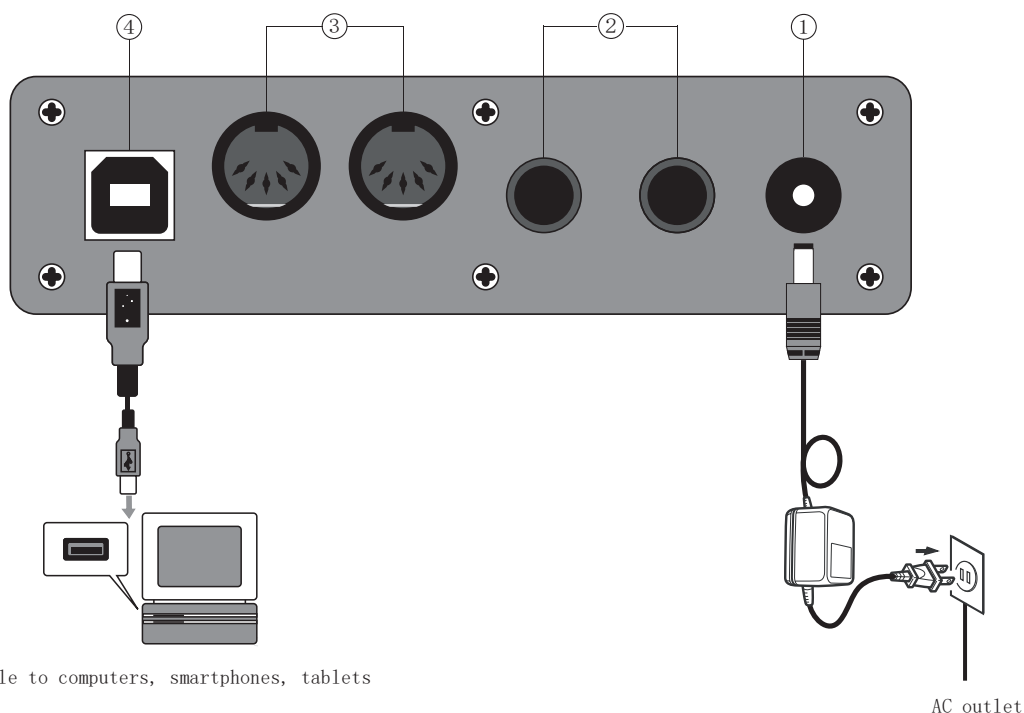
INSTALLING THE PIANO FRAME:

- Before installing the two legs to the piano, place the piano body flat on a clean floor or desktop.
- Then align the screw holes on the piano legs with those on the piano body, and tighten the screws with the allen key.
- When installing, please double check that you are installing the legs so that they look as shown on the picture below.





I/O OVERVIEW



Connectable to computers, smartphones, tablets

AC outlet

1 POWER INPUT

1. To use the power cord, insert one end into the power input found in the panel at the back of the piano, and the other end into a 100V-240V household power socket. (Figure 1)
2. If you do not plan to use the product for an extended period of time, unplug the power cord and store it properly.

2 AUDIO INPUT / OUTPUT JACK

1. The audio output jack can be used to connect the digital piano to a larger sound system. (Figure 2)
2. The audio input jack can be used to connect an external sound source to the digital piano for playback. (Figure 2)

3 MIDI INPUT AND OUTPUT

The MIDI input and output can be used to connect the digital piano to other music equipment with MIDI capability. (Figure 3)

4 USB to Host

The USB-to-host interface allows the digital piano to be connected to a computer for various functions such as learning, playing, composing, and recording music. The pre-installed music software on the computer can be used to create and edit music, and the music can be played through the digital piano with the built-in accompaniment or with the accompaniment music from the software. (Figure 4)

5 DOUBLE HEADSET OUTPUTS

When a headset is connected, the built-in speaker output will be automatically muted, preventing disturbance to others while playing. This product comes equipped with two headphone outputs, allowing for two headphones to be connected simultaneously. (Figure 5)

6 TRIPLE PEDAL

To connect the triple-pedal, insert the pedal plug into the input located at the back of the piano. The pedals should be connected in the following order: soft, sostenuto, and sustain. (Figure 6)



PRODUCT MAINTENANCE

Careful maintenance and protection of this product plays an important role in prolonging the service life of the product and reducing the failure.

1 AVOID HEATING, DAMPNES OR DIRECT SUNLIGHT

Do not over expose the product to direct sunlight, or place it near air conditioning or extremely hot place.

2 DO NOT USE NEAR THE TV OR RADIO

This product may cause video or audio interference to the reception of TV and radio. If this happens, the product should be removed from the TV or radio.

3 DO NOT USE SOLVENTS OR SIMILAR CHEMICALS FOR CLEANING:

Clean the product with a soft cloth dampened with a weak water solution and neutral detergent. Soak the cloth in the solution, wring it dry until it is almost dry, and then use it to wipe the surface of the product.

4 DO NOT SHAKE, AVOID COLLISION

When moving, the product should be handled carefully and lightly. Violent vibration and collision are strictly prohibited in order to avoid damage to the shell or internal electronic components.



SAFETY PRECAUTIONS

To ensure that you use this product safely and correctly, to prevent harm to users and others or to prevent financial damage from electrical shock, short-circuiting, damages, fire, or other hazards please read the following safety precautions. These precautions include, but are not limited to, the following:

- **Power Supply:**
 - Use only the provided power adapter or an equivalent recommended by the manufacturer.
 - Ensure the power outlet matches the voltage requirements specified in the manual.
 - Do not use a damaged power cord or adapter.
- **Placement:**
 - Place the digital piano on a stable and flat surface to prevent it from tipping over.
 - Keep the piano away from direct sunlight, heat sources, and excessive humidity.
- **Ventilation:**
 - Allow proper ventilation to prevent overheating. Do not cover ventilation openings.
- **Cleaning:**
 - Turn off and unplug the piano before cleaning.
 - Keep the piano away from direct sunlight, heat sources, and excessive humidity.
- **Avoid Liquids:**
 - Keep liquids away from the digital piano to prevent spills and damage.
 - If any liquid spills on the piano, turn it off immediately and disconnect the power. Contact authorized service personnel.
- **Children & Pets:**
 - Keep small objects and packaging materials away from children, as they may pose a choking hazard.
 - Ensure that pets do not chew on cables or any part of the piano.
- **Cables & Connections:**
 - Check cables and connectors regularly for any damage. Replace damaged cables immediately.
 - Do not overload power outlets, power strips, or extension cords
- **Volume Levels:**
 - Start with the volume at a low level before increasing it to avoid sudden loud sounds.
 - Long exposure to high volume levels may cause hearing damage. Use caution and set a comfortable listening level.
 - Be careful about volume level when using headphones for longer period of time.
- **Transportation:**
 - If moving the digital piano, turn it off and disconnect all cables
 - Do not overload power outlets, power strips, or extension cords
- **Service & Repairs:**
 - Only qualified service personnel should perform repairs or modifications.
 - If the piano malfunctions or is damaged, contact authorized service personnel.

PLEASE NOTE!

Always turn the power off when the product is not in use. In standby mode electricity is still flowing to the product at a minimum level, so if you are not using it for a longer period of time, make sure to unplug the power cord from the wall, or switch off the AC outlet

PLEASE NOTE!

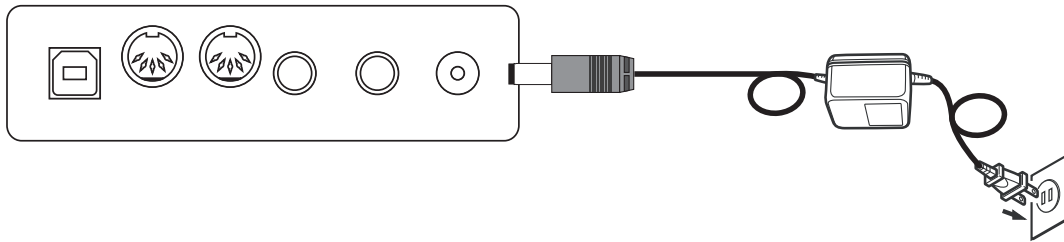
This product is an electronic musical instrument, and it's normal to hear a slight current sound from the speaker or headphones after power-on.



SAFETY PRECAUTIONS

Power Supply:

This product is designed to be powered by a standard indoor wall socket. Please only use the power cord that is equipped with this product. Be sure to turn off the power when the product is not in use temporarily. When not using the product for a long time, please unplug the power cord and store it properly.



Smoke, odor, overheating

When the product smokes, smells or overheats, there is a danger of fire and electric shock when it is used continually.

In case of the above situation, the following operations should be performed immediately:

1. Turn off the power supply.
2. Pull the plug out of the power outlet.
3. Contact your dealer.

Power cord safety precautions

1. Improper use of the power cord can result in fire and electric shock hazards. To ensure safe use, observe the following precautions:

- Only use the special power cord designated for this product.
- Use an AC power supply with an output voltage within the rated voltage range for household use.
- Avoid overloading power sockets and extension lines.

2. Improper treatment of the power cord can lead to damage or breakage, which can also cause fire and electric shock hazards. To prevent this, observe the following precautions:

- Do not place heavy objects on power lines.
- Do not attempt to alter or bend the power cord too much.
- Do not twist or pull the power cord.
- If the power cord or plug is damaged, replace it with the same type of power cord.

3. Do not touch the power cord and plug with wet hands as it can lead to electric shock.

4. Use the power cord where water will not splash to avoid the risk of fire and electric shock.

5. Never place vases or any other container containing water on this product as it can cause fire and electric shock hazards.

6. Do not allow minors to unplug or touch power lines or connection boards as they may not have a proper understanding of electricity safety and may cause electric shock hazards.



SPECIFICATIONS

Product name		Sonora SDP-2 Digital Piano
Size/Weight	Dimensions (W x D x H)	132 x 40,5 x 80 (cm)
	Weight	42 kg
Keyboard	Number of keys	88
	Type	Progressive Hammer Action Keyboard
Piano Sound		French Dream Chip 5704
Polyphony		128
Connectivity	DC IN	Use only provided power supply
	Phones	Standard headphone jack (x2)
	Sustain	Yes
	Pedal Unit	Yes
	MIDI IN/OUT	Yes
	USB TO HOST	Yes
	Bluetooth	Yes (Midi & Audio)
	Audio IN/OUT	Yes (Standard Jack)
Sound System		6W x2
Included Accessories		<ul style="list-style-type: none">• Owners Manual• AC Adapter• Music Rest• Pedal Unit