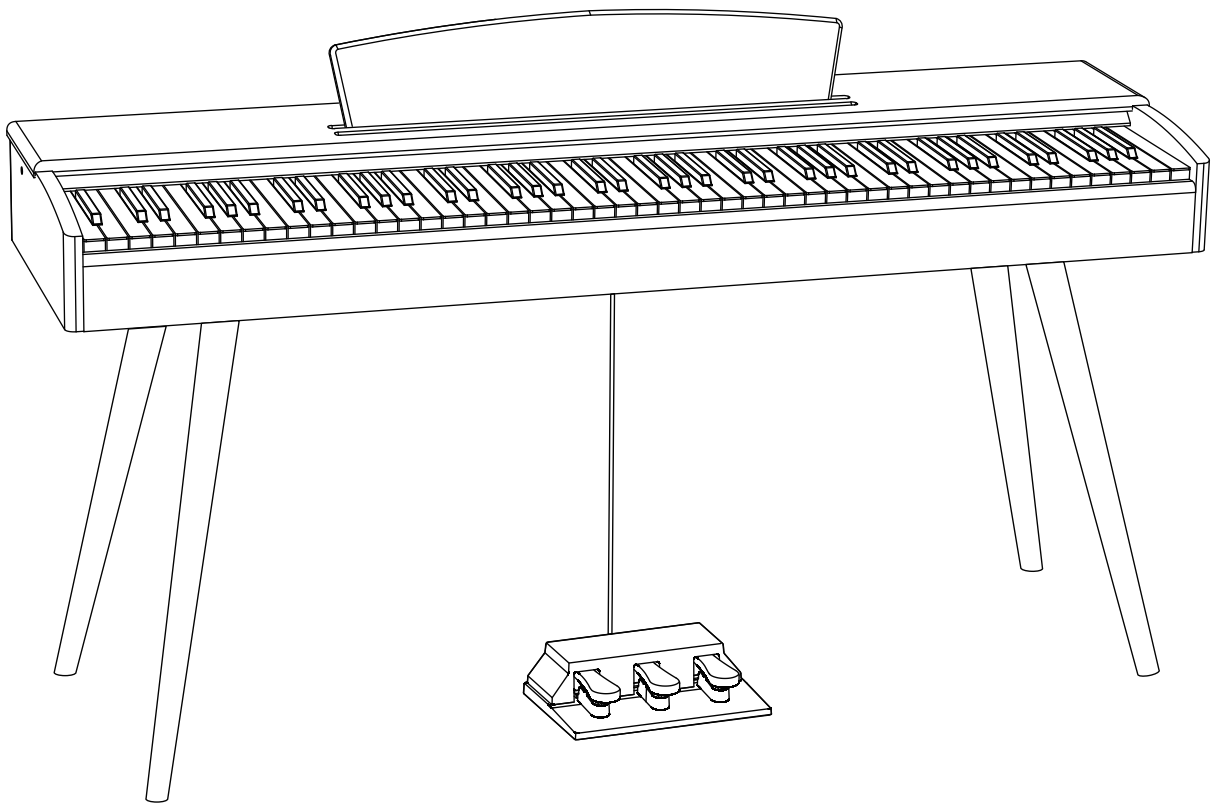


SONORA



Sonora A

DIGITAL PIANO
USER MANUAL



INTRODUCTION

Thank you for buying a Sonora Digital Piano!

We appreciate that you have chosen our product, and we are thrilled to have you as part of our musical community. Our team has put great effort into crafting an instrument that combines quality, innovation, and a passion for music.

To fully utilize the functions of this digital piano, we highly recommend that you read this user manual.

We wish you endless creativity and joy with your new digital piano!



www.sonorapiano.com



CONTENTS

Product overview page 3

Installation page 4

I/O Overview page 5

Product Maintenance page 6

Safety Precautions page 7

Specifications page 9

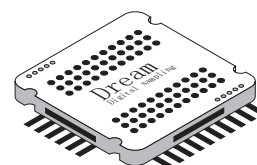




PRODUCT OVERVIEW

- **FRENCH DREAM SOUND SOURCE**

The core of this product features a new generation French Dream sound source and digital sampling technology, delivering a truly realistic and immersive auditory experience.

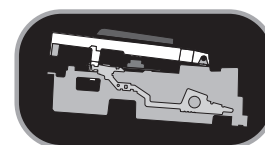


- **DUAL HEADPHONE JACKS**

The external dual headphone jacks allow for playing without disturbing others, providing a convenient solution for private practice or shared living spaces.

- **88 FULLY WEIGHTED KEYS WITH PROGRESSIVE HAMMER ACTION**

The 88-key progressive heavy hammer-action keyboard provides a truly realistic touch, resembling the feel of playing on a grand piano.



- **INSTRUMENT PARAMETERS**

| | |
|----------------------|---------------------------------------|
| Keys: 88 keys | Pitch: ≤ 3 cents |
| Register: A0 ~ C8 | Output power: $4\Omega / 6W \times 2$ |
| Style: Desktop Piano | Power supply: AC 100~240V 50Hz |

- **BLUETOOTH MIDI AND BLUETOOTH AUDIO**

Bluetooth Code: 8888

- **TRIPLE PEDAL**

Triple pedal system that allows you to fully experience the feeling of playing the piano



INSTALLATION

Precautions for installing solid wood piano legs

- 1、 The sticker is facing upwards.
- 2、 Align the screw holes and pay attention to distinguishing the orientation of the wooden legs. After installation and fastening, the two wooden legs should be in an outward eight shape. (Figure 1, Figure 2)
- 3、 When tightening screws, first tighten the first screw halfway to facilitate adjustment of other screw holes.
- 4、 If you feel that there is obstruction when installing screws, please loosen the screws back before tightening them.
- 5、 Each set of piano legs comes with an additional 2 spare screws.

Figure 1

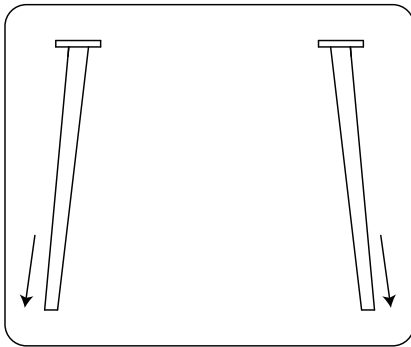
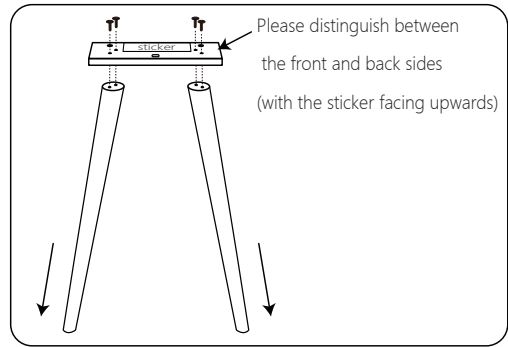


Figure 2

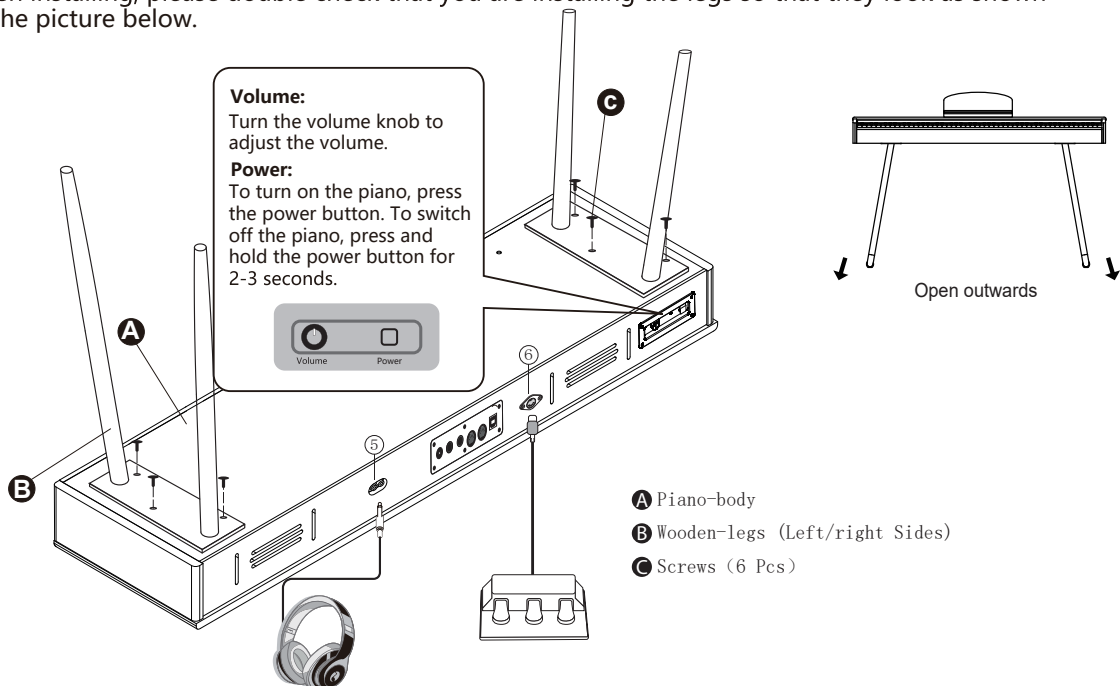


CHECKING THE ATTACHED ITEMS:

- After opening the package, please check whether it contains all the items. If any item is missing, please contact us.

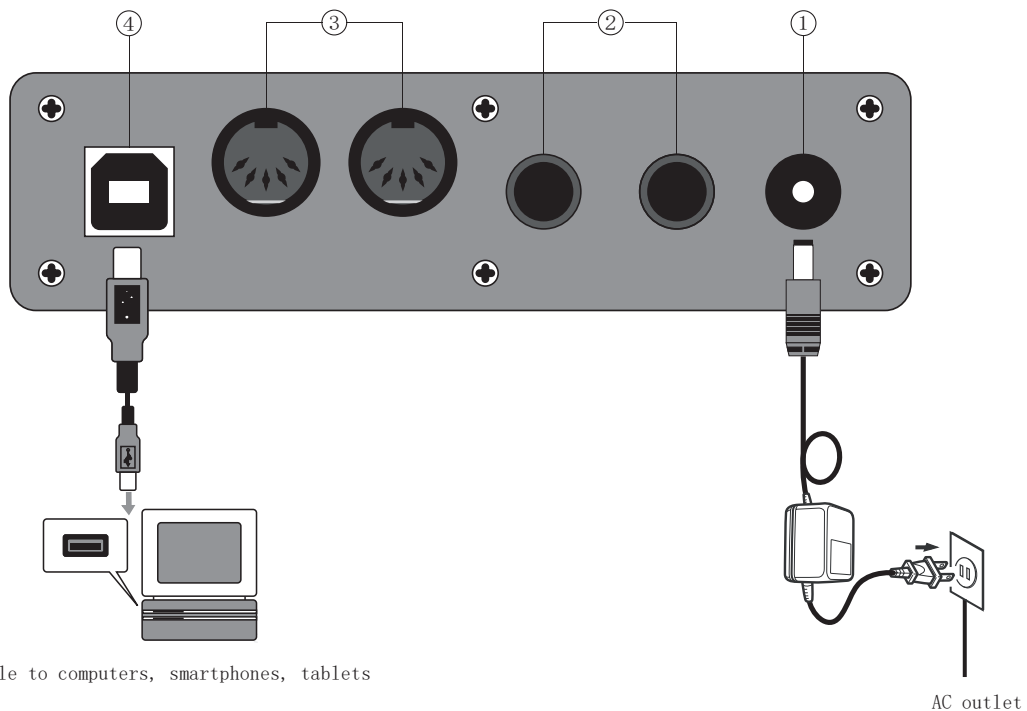
INSTALLING THE PIANO LEGS:

- Before installing the four legs to the piano, place the piano body flat on a clean floor or desktop.
- Then align the screw holes on the piano legs with those on the piano body, and tighten the screws with the allen key.
- When installing, please double check that you are installing the legs so that they look as shown on the picture below.





I/O OVERVIEW



1 POWER INPUT

1. To use the power cord, insert one end into the power input found in the panel at the back of the piano, and the other end into a 100V-240V household power socket. (Figure 1)
2. If you do not plan to use the product for an extended period of time, unplug the power cord and store it properly.

2 AUDIO INPUT / OUTPUT JACK

1. The audio output jack can be used to connect the digital piano to a larger sound system. (Figure 2)
2. The audio input jack can be used to connect an external sound source to the digital piano for playback. (Figure 2)

3 MIDI INPUT AND OUTPUT

The MIDI input and output can be used to connect the digital piano to other music equipment with MIDI capability. (Figure 3)

4 USB to Host

The USB-to-host interface allows the digital piano to be connected to a computer for various functions such as learning, playing, composing, and recording music. The pre-installed music software on the computer can be used to create and edit music, and the music can be played through the digital piano with the built-in accompaniment or with the accompaniment music from the software. (Figure 4)

5 DOUBLE HEADSET OUTPUTS

When a headset is connected, the built-in speaker output will be automatically muted, preventing disturbance to others while playing. This product comes equipped with two headphone outputs, allowing for two headphones to be connected simultaneously. (Figure 5)

6 TRIPLE PEDAL

To connect the triple-pedal, insert the pedal plug into the input located at the back of the piano. The pedals should be connected in the following order: soft, sostenuto, and sustain. (Figure 6)



PRODUCT MAINTENANCE

Proper maintenance and protection of this product are crucial in extending its service life and reducing the risk of malfunctions.

1 AVOID HEAT, MOISTURE, OR DIRECT SUNLIGHT:

Do not expose the product to direct sunlight for too long, or place it near air conditioning units or extremely hot places.

2 DO NOT USE NEAR A TV OR RADIO:

This product may cause video or audio interference to TV or radio reception. If this happens, the product should be removed from the vicinity of the TV or radio.

3 DO NOT USE SOLVENTS OR SIMILAR CHEMICALS FOR CLEANING:

Clean the product with a soft cloth dampened with a weak water solution and neutral detergent. Soak the cloth in the solution, wring it dry until it is almost dry, and then use it to wipe the surface of the product.

4 DO NOT SHAKE OR COLLIDE WITH OTHER OBJECTS:

When moving the product, handle it carefully and lightly. Violent vibration and collisions should be avoided to prevent damage to the shell or internal electronic components.



SAFETY PRECAUTIONS

To ensure that you use this product safely and correctly, to prevent harm to users and others or to prevent financial damage from electrical shock, short-circuiting, damages, fire, or other hazards please read the following safety precautions. These precautions include, but are not limited to, the following:

- **Power Supply:**
 - Use only the provided power adapter or an equivalent recommended by the manufacturer.
 - Ensure the power outlet matches the voltage requirements specified in the manual.
 - Do not use a damaged power cord or adapter.
- **Placement:**
 - Place the digital piano on a stable and flat surface to prevent it from tipping over.
 - Keep the piano away from direct sunlight, heat sources, and excessive humidity.
- **Ventilation:**
 - Allow proper ventilation to prevent overheating. Do not cover ventilation openings.
- **Cleaning:**
 - Turn off and unplug the piano before cleaning.
 - Keep the piano away from direct sunlight, heat sources, and excessive humidity.
- **Avoid Liquids:**
 - Keep liquids away from the digital piano to prevent spills and damage.
 - If any liquid spills on the piano, turn it off immediately and disconnect the power. Contact authorized service personnel.
- **Children & Pets:**
 - Keep small objects and packaging materials away from children, as they may pose a choking hazard.
 - Ensure that pets do not chew on cables or any part of the piano.
- **Cables & Connections:**
 - Check cables and connectors regularly for any damage. Replace damaged cables immediately.
 - Do not overload power outlets, power strips, or extension cords
- **Volume Levels:**
 - Start with the volume at a low level before increasing it to avoid sudden loud sounds.
 - Long exposure to high volume levels may cause hearing damage. Use caution and set a comfortable listening level.
 - Be careful about volume level when using headphones for longer period of time.
- **Transportation:**
 - If moving the digital piano, turn it off and disconnect all cables
 - Do not overload power outlets, power strips, or extension cords
- **Service & Repairs:**
 - Only qualified service personnel should perform repairs or modifications.
 - If the piano malfunctions or is damaged, contact authorized service personnel.

PLEASE NOTE!

Always turn the power off when the product is not in use. In standby mode electricity is still flowing to the product at a minimum level, so if you are not using it for a longer period of time, make sure to unplug the power cord from the wall, or switch off the AC outlet

PLEASE NOTE!

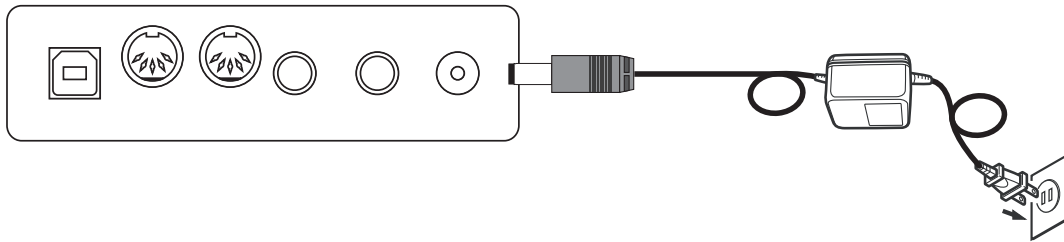
This product is an electronic musical instrument, and it's normal to hear a slight current sound from the speaker or headphones after power-on.



SAFETY PRECAUTIONS

Power Supply:

This product is designed to be powered by a standard indoor wall socket. Please only use the power cord that is equipped with this product. Be sure to turn off the power when the product is not in use temporarily. When not using the product for a long time, please unplug the power cord and store it properly.



Smoke, odor, overheating

When the product smokes, smells or overheats, there is a danger of fire and electric shock when it is used continually.

In case of the above situation, the following operations should be performed immediately:

1. Turn off the power supply.
2. Pull the plug out of the power outlet.
3. Contact your dealer.

Power cord safety precautions

1. Improper use of the power cord can result in fire and electric shock hazards. To ensure safe use, observe the following precautions:

- Only use the special power cord designated for this product.
- Use an AC power supply with an output voltage within the rated voltage range for household use.
- Avoid overloading power sockets and extension lines.

2. Improper treatment of the power cord can lead to damage or breakage, which can also cause fire and electric shock hazards. To prevent this, observe the following precautions:

- Do not place heavy objects on power lines.
- Do not attempt to alter or bend the power cord too much.
- Do not twist or pull the power cord.
- If the power cord or plug is damaged, replace it with the same type of power cord.

3. Do not touch the power cord and plug with wet hands as it can lead to electric shock.

4. Use the power cord where water will not splash to avoid the risk of fire and electric shock.

5. Never place vases or any other container containing water on this product as it can cause fire and electric shock hazards.

6. Do not allow minors to unplug or touch power lines or connection boards as they may not have a proper understanding of electricity safety and may cause electric shock hazards.



SPECIFICATIONS

| | | |
|----------------------|------------------------|--|
| Product name | | Sonora A Digital Piano |
| Size/Weight | Dimensions (W x D x H) | 128 x 40 x 75 (cm) |
| | Weight | 23 kg |
| Keyboard | Number of keys | 88 |
| | Type | Progressive Hammer Action Keyboard |
| Piano Sound | | French Dream Chip |
| Polyphony | | 128 |
| Connectivity | DC IN | Use only provided power supply |
| | Phones | Standard headphone jack (x2) |
| | Sustain | Yes |
| | Pedal Unit | Yes |
| | MIDI IN/OUT | Yes |
| | USB TO HOST | Yes |
| | Bluetooth | Yes (Midi & Audio) |
| | Audio IN/OUT | Yes (Standard Jack) |
| Sound System | | 6W x2 |
| Included Accessories | | <ul style="list-style-type: none">● Owners Manual● AC Adapter● Music Rest● Pedal Unit |